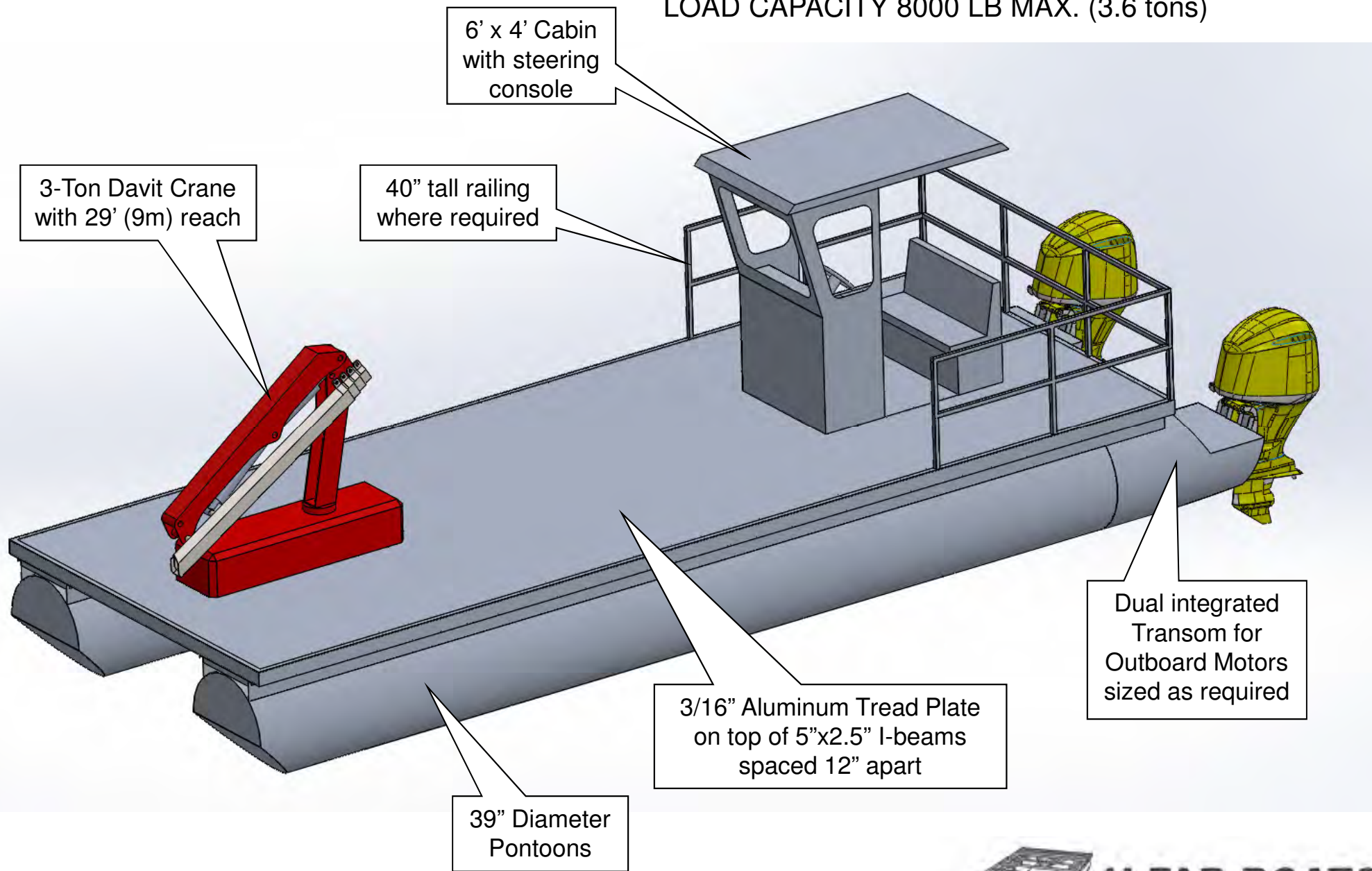


34' x 12' WORK BOAT WITH 3-TON DAVIT CRANE

ESTIMATED WEIGHT OF BOAT KIT 9500 LB
(5800 lb pontoon, 400 lb cabin, 2x600 lb twin outboard
motors 250hp each, 1600 lb crane, 500 lb accessories)
LOAD CAPACITY 8000 LB MAX. (3.6 tons)

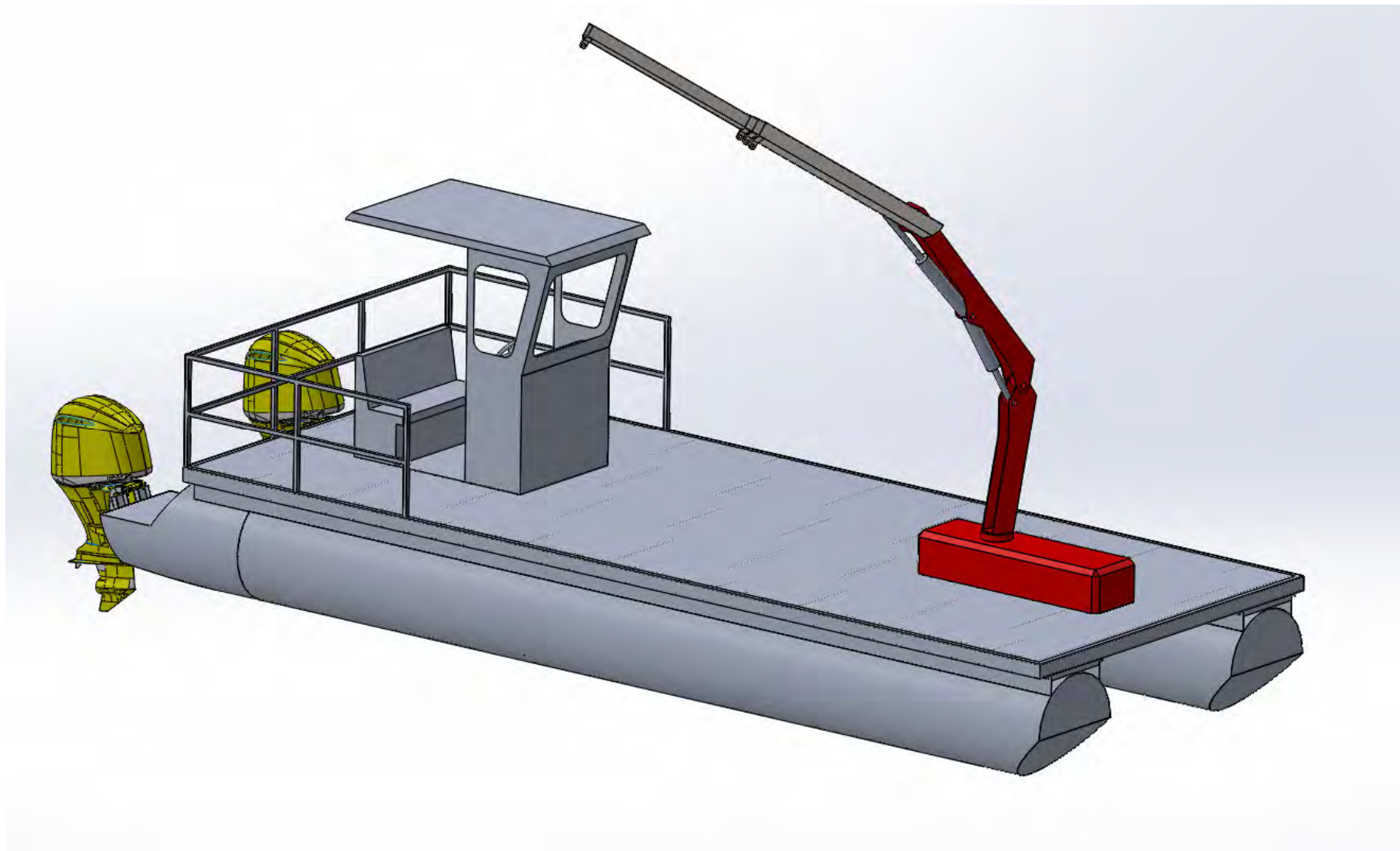


U-FAB BOATS®

27 June 2017

34' x 12' WORK BOAT WITH 3-TON DAVIT CRANE

ESTIMATED WEIGHT OF BOAT KIT 9500 LB
(5800 lb pontoon, 400 lb cabin, 2x600 lb twin outboard
250hp each, 1600 lb crane, 500 lb accessories)
MAX. LOAD CAPACITY 8000 LB (3.6 tons)

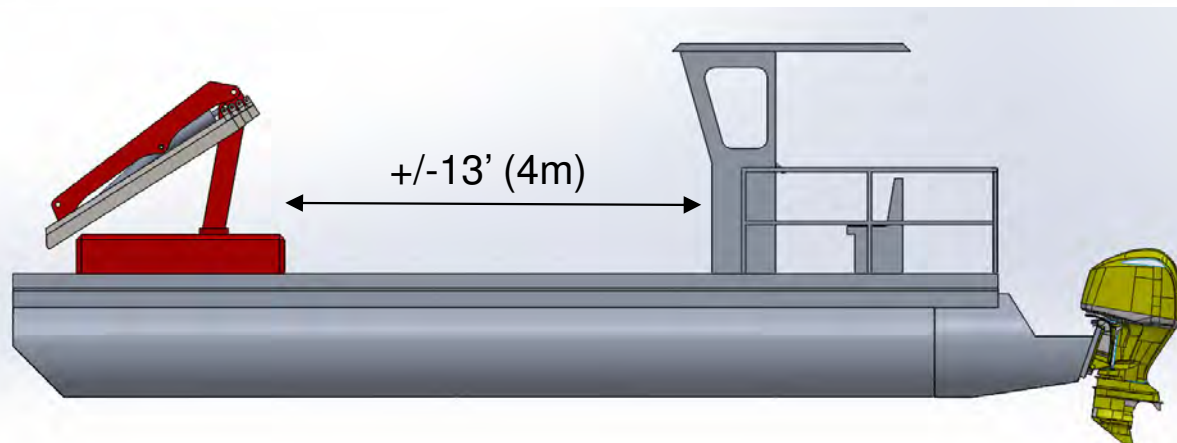
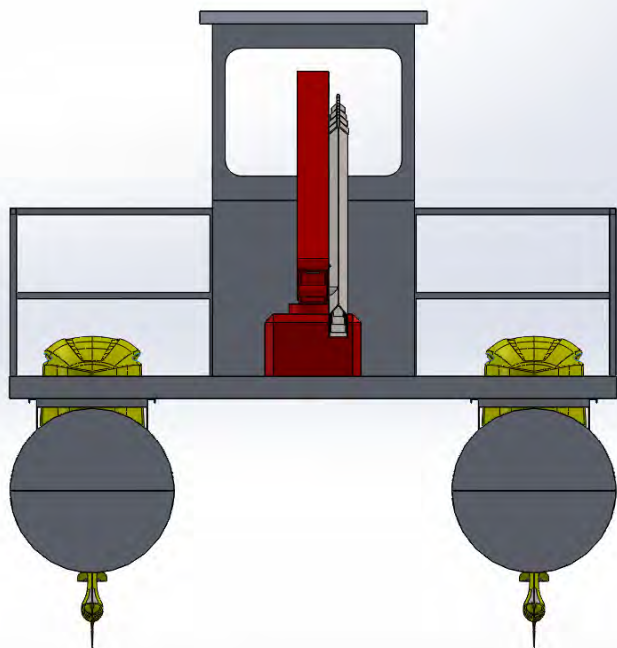
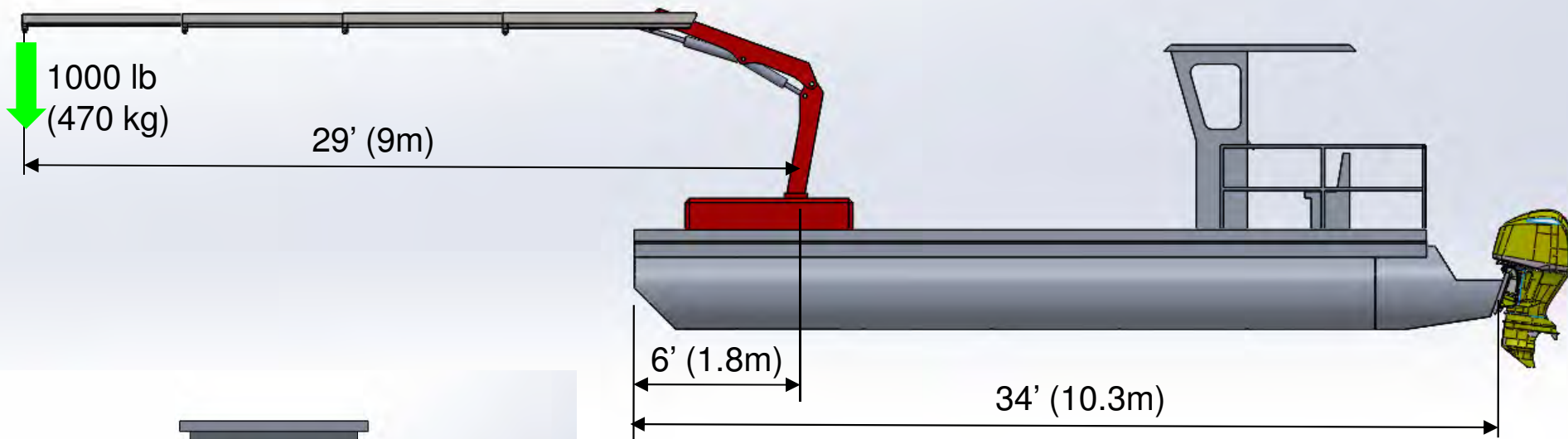


U-FAB BOATS®

27 June 2017

34' x 12' WOK BOAT WITH 3-TON DAVIT CRANE

ESTIMATED WEIGHT OF BOAT KIT 9500 LB
(5800 lb pontoon, 400 lb cabin, 2x600 lb twin outboard
250hp each, 1600 lb crane, 500 lb accessories)
MAX. LOAD CAPACITY 8000 LB (3.6 tons)



U-FAB BOATS®

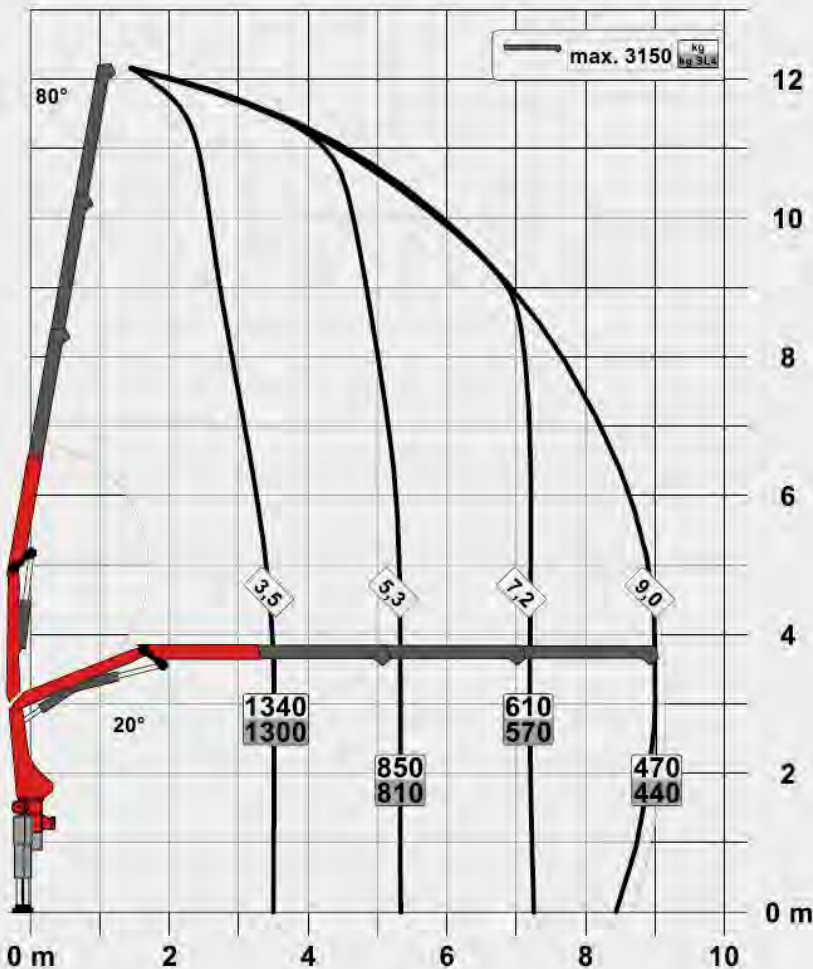
27 June 2017

PALFINGER CRANE

PK 5.501 SLD 5

SLD 5

- Single Link
- Paltronic overload protection
- E-HPLS
- Load Sensing valve
- Radio remote control with LED display
- Optional:
 - Stability monitoring system ISC-S (standard for CE), HPSC-L, HPSC-E
- NON-CE and CE model



TECHNICAL SPECIFICATIONS

Classification	EN 13001 HC1 HD4/S2	
Max. lifting moment	5.1 mt/49.8 kNm	36730 ft.lb
Max. lifting capacity	3300 kg/32.4 kN	7300 lb
Max. hydraulic outreach	11.1 m	36' 5"
Max. manual outreach	12.7 m	41' 8"
Slewing angle	400°	
Slewing torque	0.6 mt/5.9 kNm	4350 ft.lb
Stabiliser spread (std./max.)	2.9 m/ 5.0 m	9' 6"/ 16' 3"
Fitting space required (std.)	0.66 m / 2' 2"	
Width folded	2.10 m / 6' 11"	
Max. operating pressure	360 bar / 5220 psi	
Recommended pump capacity	from 20 l/min	5.3 US gpm
	to 30 l/min	7.9 US gpm
Dead weight (std.)	725 kg	1600 lb



U-FAB BOATS®

27 June 2017



NY 7327 FS