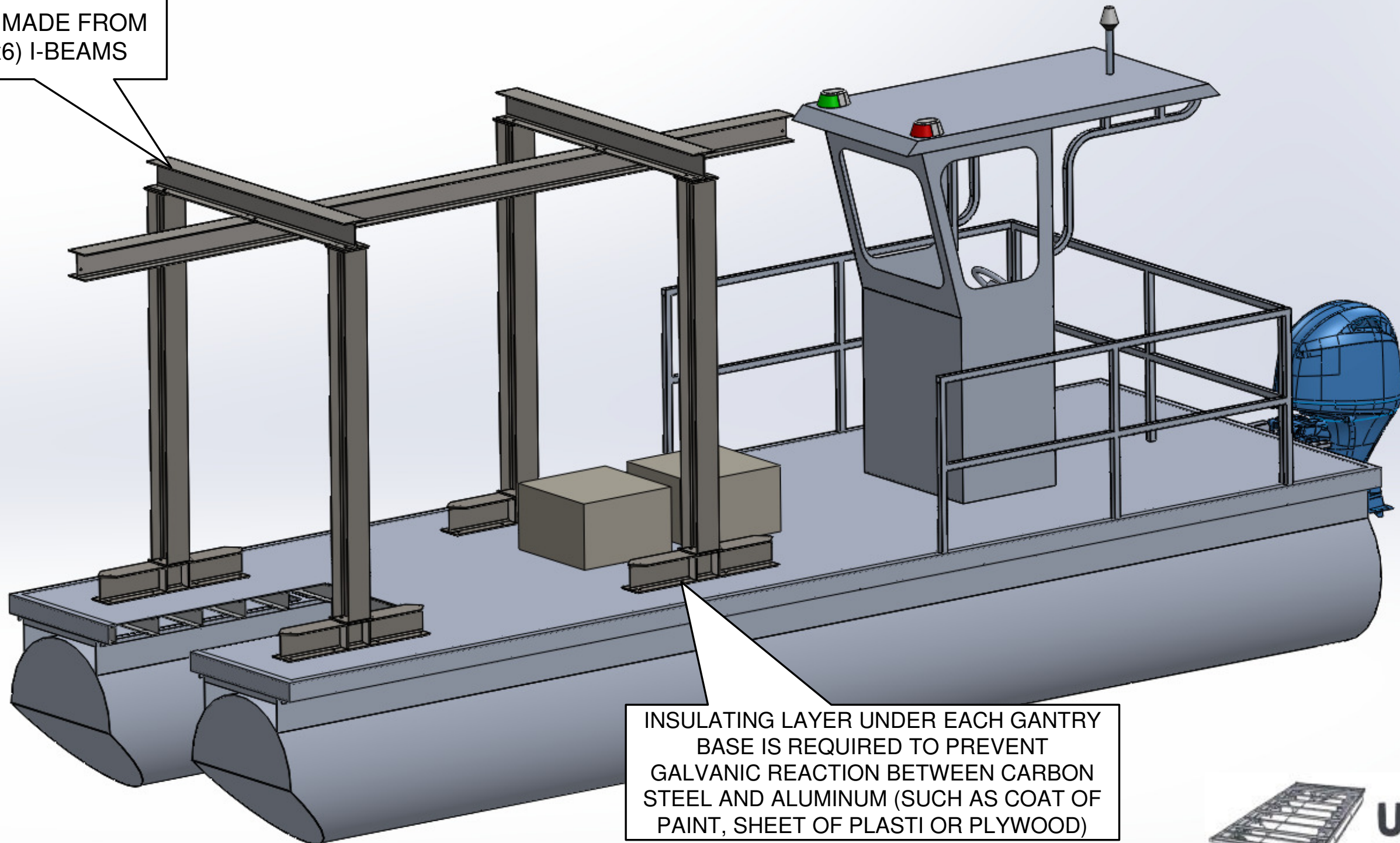


# WORK BOAT 8.5x25 WITH 3-TON CRANE

DECK SIZE 8.5ft x 25ft, PONTOONS 36" DIA, 4x2x3/16 CHANNELS, 12" SPACING  
1/4" ALUMINUM DECK PLATE, 1.5" SQUARE RAILING WHERE REQUIRED.  
3-TON GANTRY FOR TROLLEY AND WINCH. OPEN STYLE PILOT HOUSE.

GANTRY IS MADE FROM  
W6x15 (6x6) I-BEAMS



INSULATING LAYER UNDER EACH GANTRY  
BASE IS REQUIRED TO PREVENT  
GALVANIC REACTION BETWEEN CARBON  
STEEL AND ALUMINUM (SUCH AS COAT OF  
PAINT, SHEET OF PLASTI OR PLYWOOD)



**U-FAB BOATS®**

28 April 2022