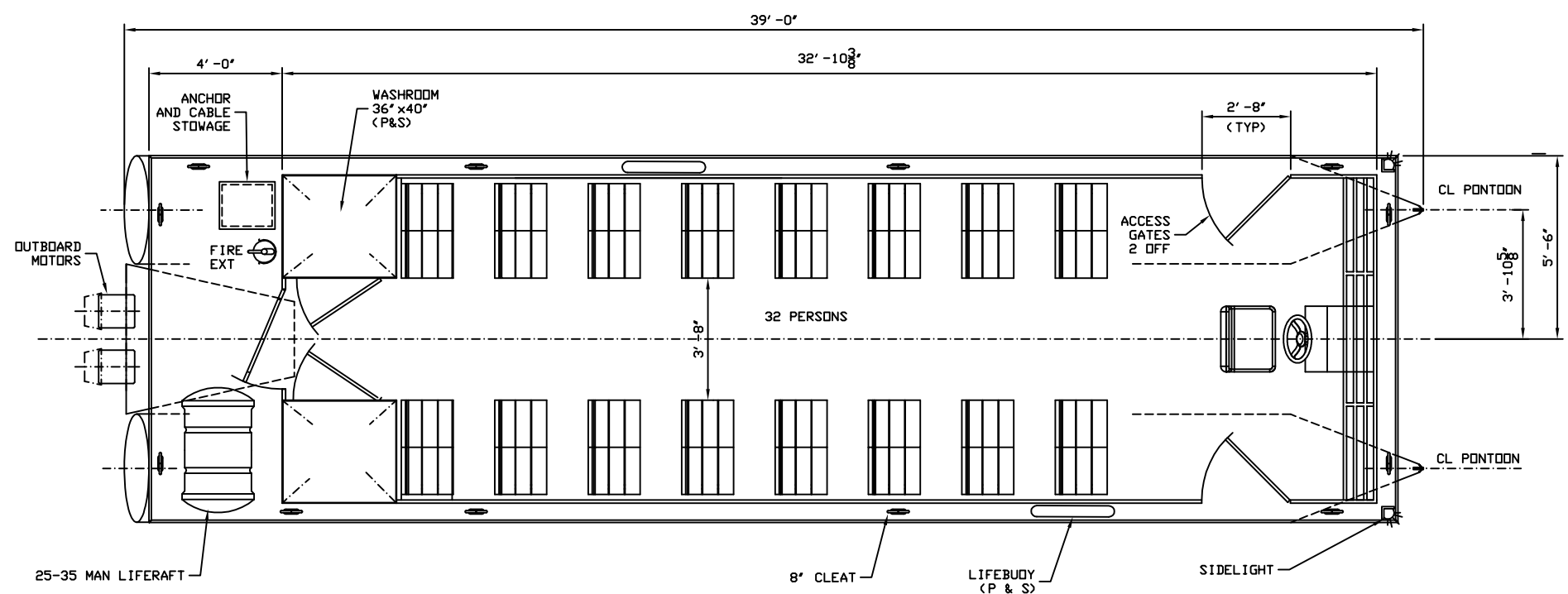
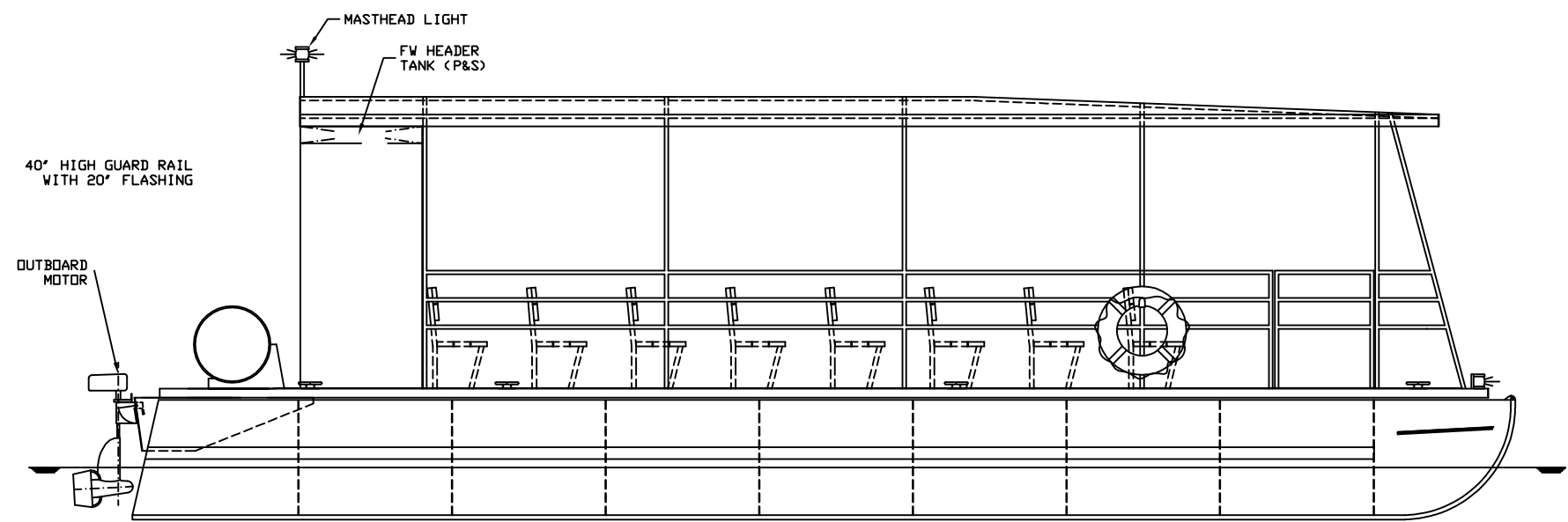


**U-FAB BOATS - 24 PASSENGER VESSEL
PRINCIPAL PARTICULARS**

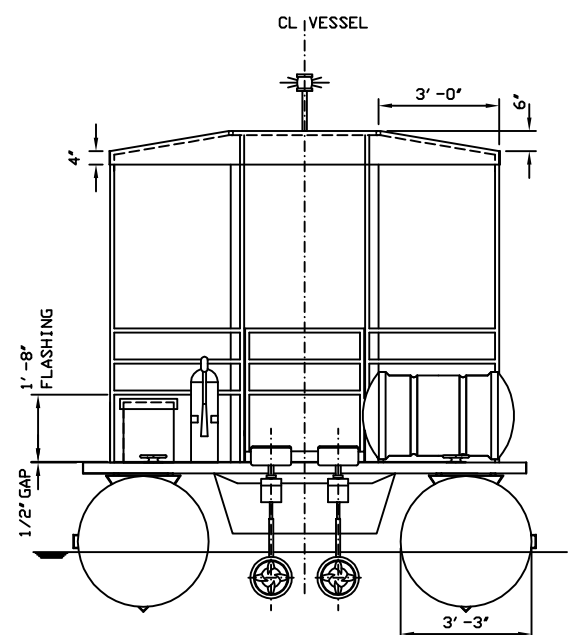
LENGTH (HULL) = 39'-0"
 MAX BEAM = 11'-4"
 MAIN DECK (ABL) = 3'-11 1/4"
 DEPTH (TOP OF ROOF) = 11'-11 3/8"
 PONTOON DIA = 39"



PLAN AT MAIN DECK



ELEVATION LOOKING TO PORT



AFT END LOOKING FWD

LN	ZN	DESCRIPTION	DATE	BY	CHK	APP
REVISIONS						
APPROVALS / APPROBATIONS						
CLASSN	SUB/SOUL	APP	REV	REV	REV	REV
CODE/CC						
DRAW/PROP						
U-FAB BOATS www.u-fabboats.com						
FLEETWAY Inc.						
DRAWING PRODUCED BY						
PROJECT						
DRAWING TITLE						
GENERAL ARRANGEMENT						
BY/CHK	APP/CHK	APP/CHK	APP/CHK	APP/CHK	APP/CHK	APP/CHK
I.GILBERT	M.FOLLETT	S.DANIELS				
DESIGN						
	X					
SHEET	OFF					
1	1					
REV.						