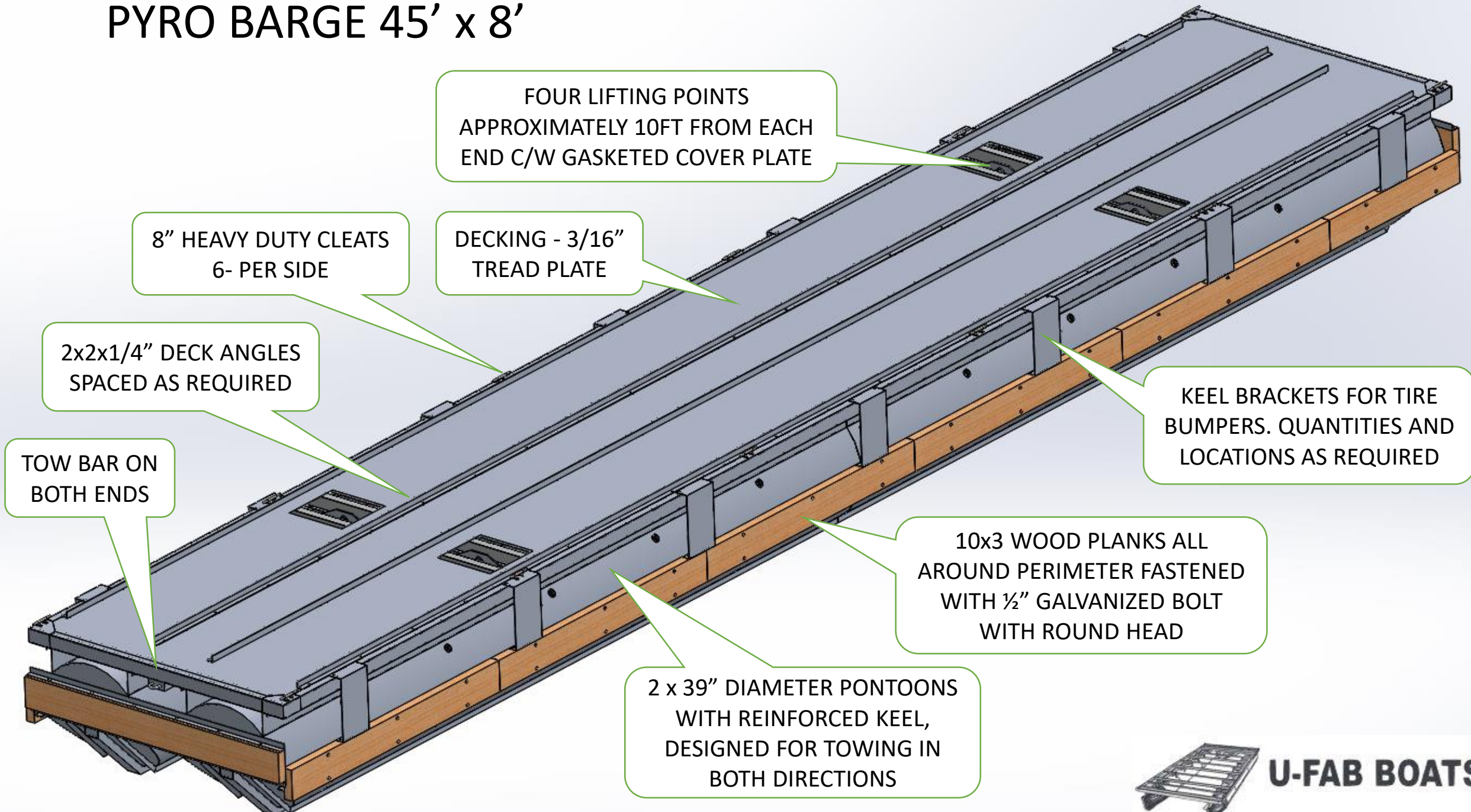


PYRO BARGE 45' x 8'



FOUR LIFTING POINTS
APPROXIMATELY 10FT FROM EACH
END C/W GASKETED COVER PLATE

8" HEAVY DUTY CLEATS
6- PER SIDE

DECKING - 3/16"
TREAD PLATE

2x2x1/4" DECK ANGLES
SPACED AS REQUIRED

TOW BAR ON
BOTH ENDS

KEEL BRACKETS FOR TIRE
BUMPERS. QUANTITIES AND
LOCATIONS AS REQUIRED

10x3 WOOD PLANKS ALL
AROUND PERIMETER FASTENED
WITH 1/2" GALVANIZED BOLT
WITH ROUND HEAD

2 x 39" DIAMETER PONTOONS
WITH REINFORCED KEEL,
DESIGNED FOR TOWING IN
BOTH DIRECTIONS

PYRO BARGE 45' x 8'

8" HEAVY DUTY CLEATS
6- PER SIDE

DECKING - 3/16"
THEAD PLATE

2x2x1/4" DECK ANGLES
SPACED AS REQUIRED

FOUR LIFTING POINTS
APPROXIMATELY 10FT FROM EACH
END C/W GASKETED COVER PLATE

4" HAT BARS 12" APART

2.5x4.19x1/8" EDGE ANGLE

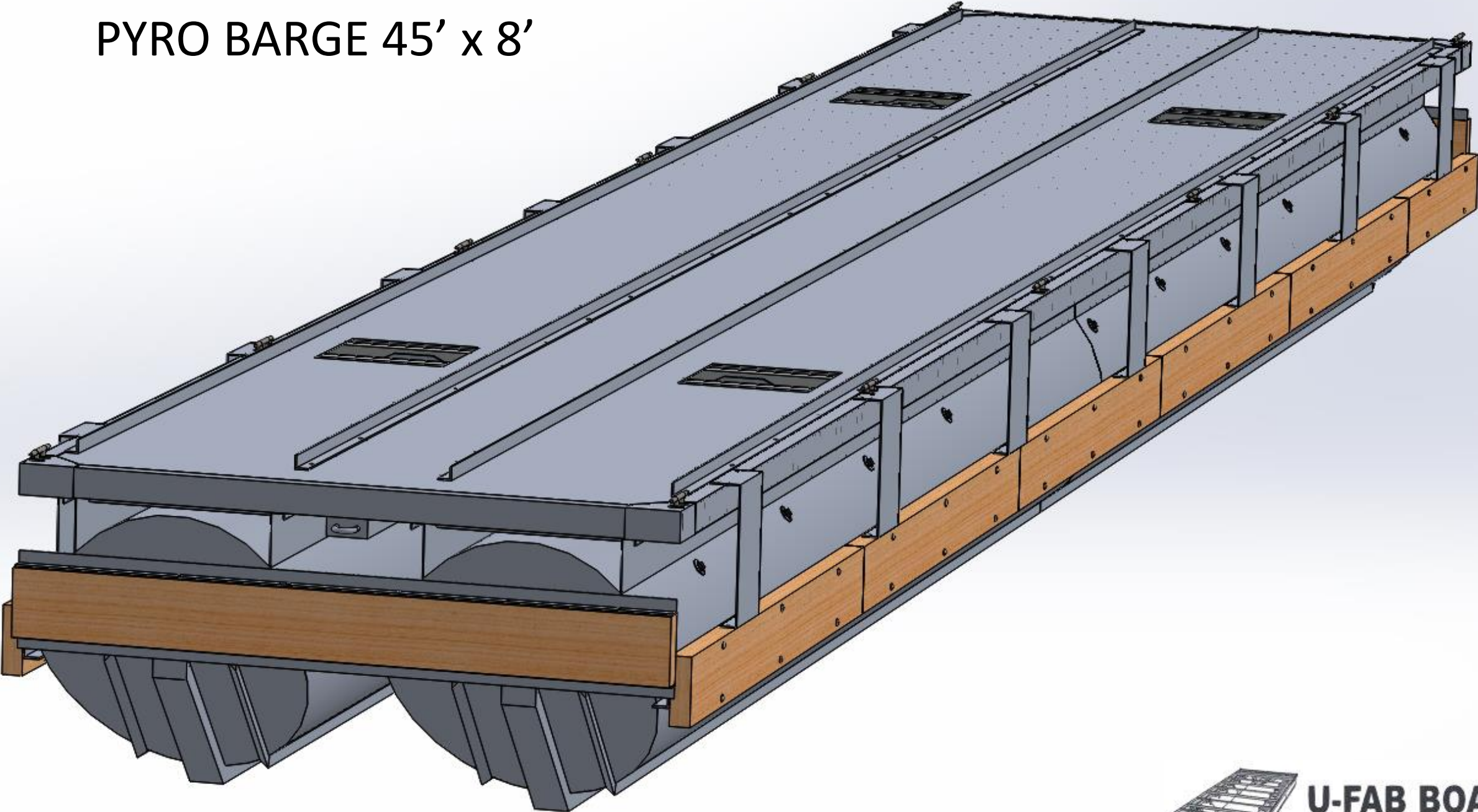
1.5" THREADED PLUGS

TOW BAR ON
BOTH ENDS

10x3 WOOD PLANKS
BOTH ENDS OF BARGE

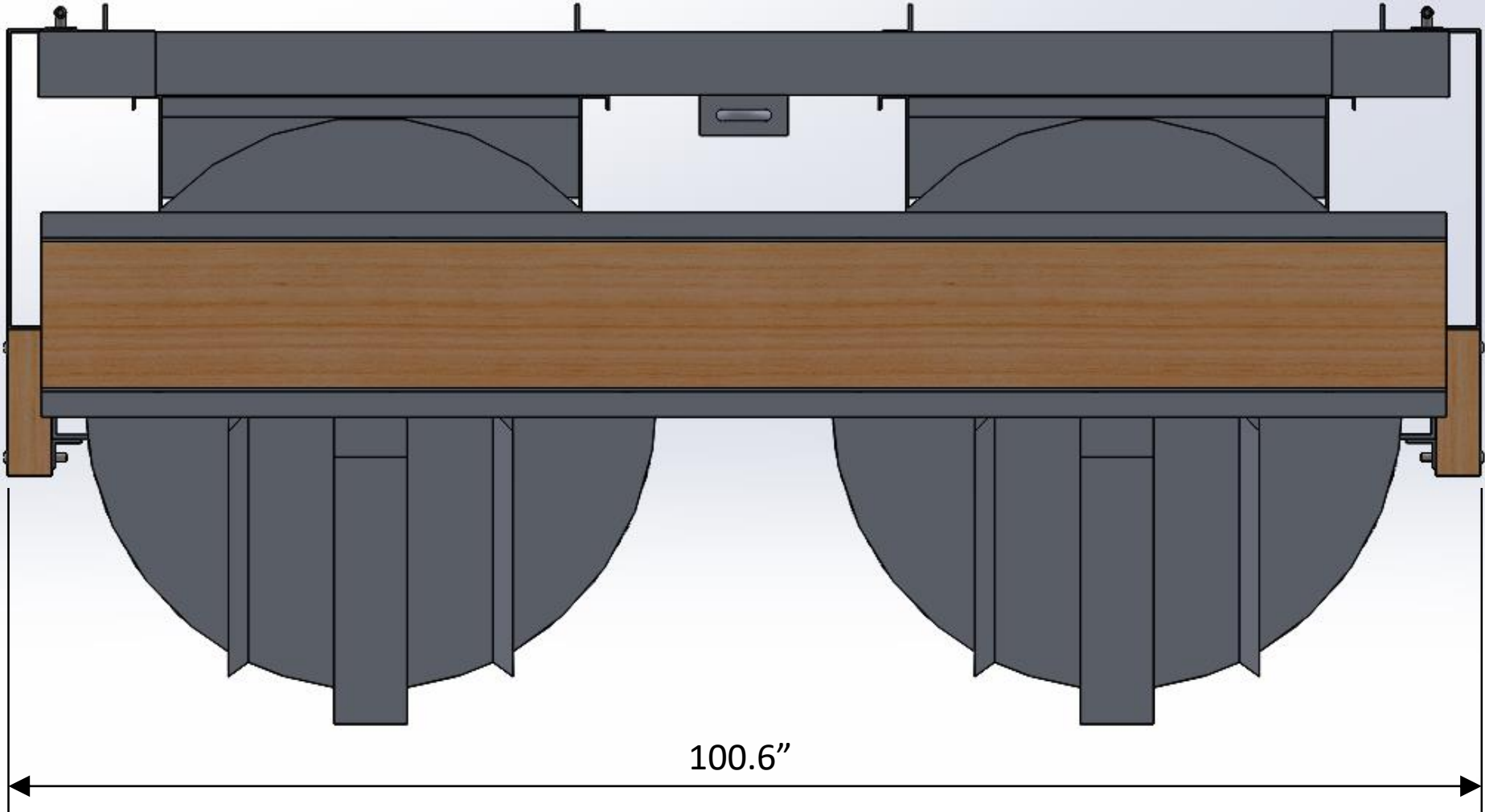


PYRO BARGE 45' x 8'

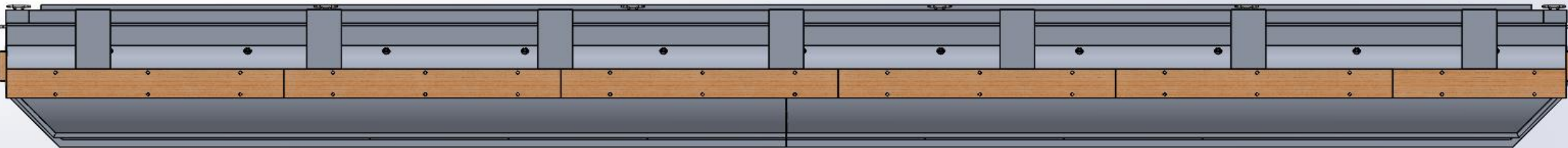
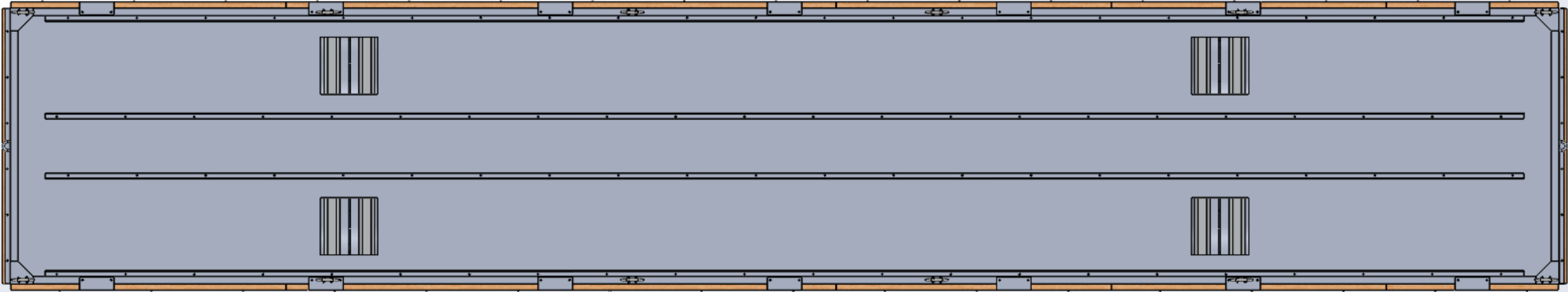


U-FAB BOATS[®]

PYRO BARGE 45' x 8'



PYRO BARGE 45' x 8'



U-FAB BOATS®